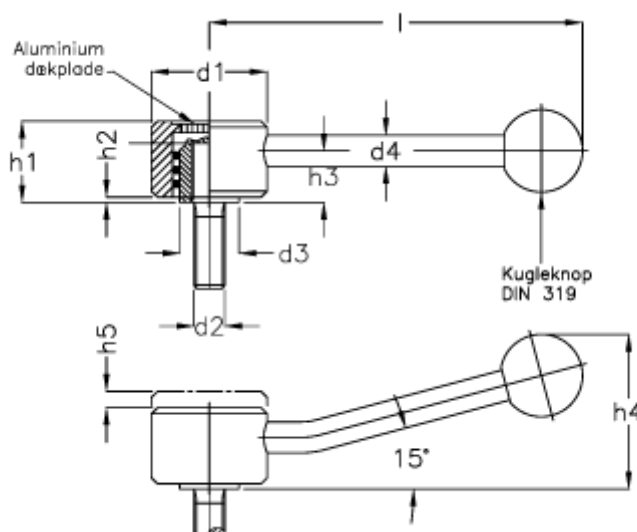


Article number: 20498878B1

Description: E+G Flat adjustable tension lever stainless
GN125.5-32-M8-32-E

Measures



| | |
|-----------|----------|
| d1 = 32 | h5 = 4.0 |
| d2 = M8 | l1 = 12 |
| d3 = 13.5 | |
| d4 = 8 | |
| h1 = 20.5 | |
| h2 = 1.5 | |
| h3 = 12.5 | |
| h4 = 36 | |